

MOULDED SOUND PROJECTORS



➤ **CAD20/T**
➤ **CAD20/TC**

TECHNICAL SPECIFICATIONS

Rated power, Watts	20
Tappings 100 volt line, Watts	20/10/5/2.5
Transformer Impedance, Ohms, 100V	500/1k/2k/4k
Tappings 70.7 volt line, Watts	10/5/2.5/1.25
Driver impedance, Ohms	8
Effective frequency range, Hz (BSEN60268-5)	110-18,000
S.P.L. @ 1m, 1 watt, dB, Test Signal Bandwidth 100Hz-10 kHz	91
S.P.L. @ Full power, Octave Bandwidth, dB	104
Acoustic Power (dB-PWL@1 watt) 1k/2kHz,dB	89/90
Dispersion at 1k/2k Hz, Degrees	180/120
Directivity Axial Q factor, 1k/2kHz	2.6/5.6
Dimensions, front & depth, mm	Ø138 x 204
Net weight, Kgs	1.6
Colour/Finish	White
Material	ABS Plastic with UV inhibitor and Stainless steel hardware
Mounting	Aluminium U bracket

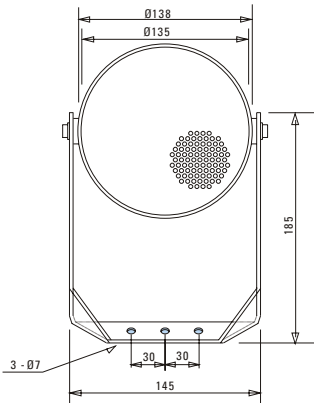
➤ CAD20/TC is BS5839 Part 8 voice alarm compliant

EASE, CATT, ULYSSES and Architectural specifications are supplied on the disc inserted at the back of this folder
Manufacturer reserves the right to alter specifications without notice – March 2007

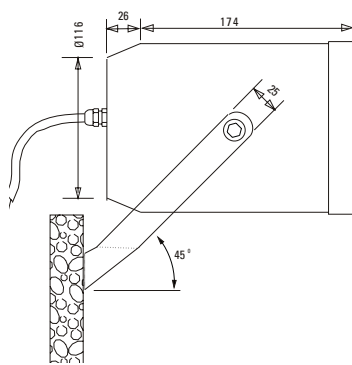
CAD20/T CAD20/TC

MOULDED SOUND PROJECTORS

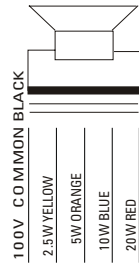
front view
unit: mm



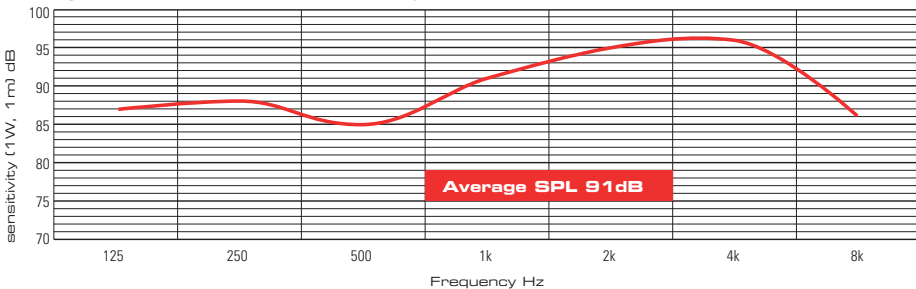
side view
unit: mm



circuit diagram
CAD20/T



speech octave band sensitivity



Effective Frequency Range **CAD20/T CAD20/TC** 110Hz - 18,000Hz

Commercial Audio Solutions Ltd

The Old Barn, Whitecroft Farm

Station Road

Strines, Derbyshire

SK22 3AH

Tel: 01663 767888

Email: sales@commercialaudiosolutions.com

